

TPS11XC

High Frequency Clock Oscillator

■Feature

- Ultra-small, reflow solderable, tri-state output function.
- TTL/C-MOS compatible, Direct connection with IC is Possible.
- Suitable as a standard clock signal source.

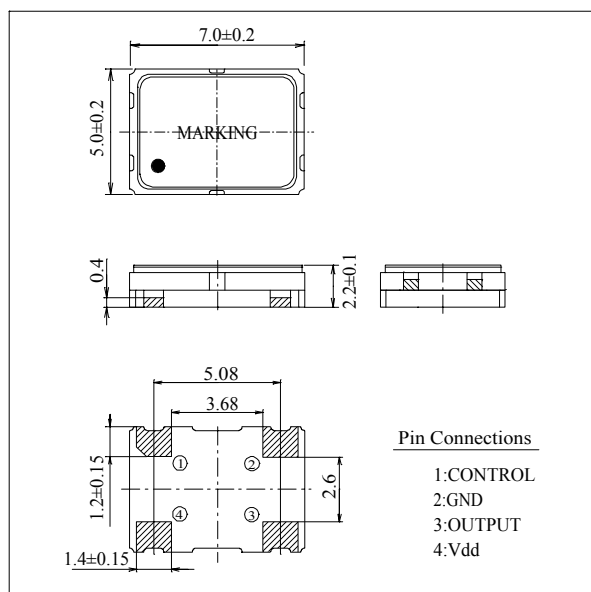
Now printing

■Specifications

Size	7.0 × 5.0 × 2.2 (mm)	
Output Frequency	70.0 ~ 130.0 (MHz)	
Supply Voltage	3.3 ± 10% (V)	
Supply Current	50 max. (mA)	
Output level	Hi: 0.9 × Vcc min. / Lo: 0.1 × Vcc max	
Load	C-MOS: 15 (pF)	
Temperature Range	0 ~ +70°C	-40 ~ +85°C
Frequency Stability	± 50ppm	± 100ppm
Symmetry	40 ~ 60 (%)	
Rise, Fall time	10 max. (ns): Vdd = 10 ~ 90 (%)	

* Products with specific requirements are available upon request.

■Outline



■Reference Land Pattern

