

TDS-2520F

Ultra Miniature Surface Mount Crystal

Feature

- Minimal footprint, low profile (2.5×2.0, 0.45±0.05).
- Hermetically sealed - [Seam welding methodology]
- High Reflow Temperature Tolerant.
- RoHS compliant - Lead Free

Applications

Cellular Phones, Bluetooth, WLAN, Zigbee

Standard Specifications

Characteristic	Value
Size (mm)	2.5×2.0, 0.50t max.
Overtone Order	Fundamental
Frequency Range (MHz)	16 to 48 (See Table 1)
Equivalent Series Resistance (O)	50max to 80 max.
Drive Level (μWatts)	10, 30
Operating Temperature Range	See Table 2
Frequency Temperature Characteristics (in reference to 25 °C)	See Table 2

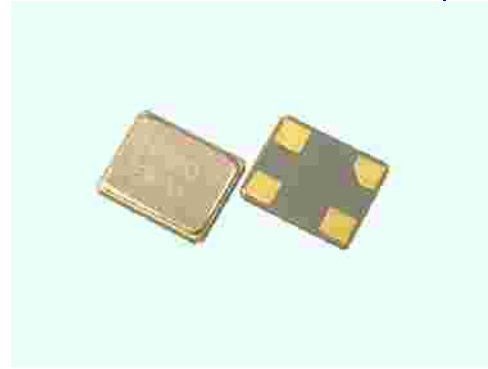


Table 1 Typical Frequencies

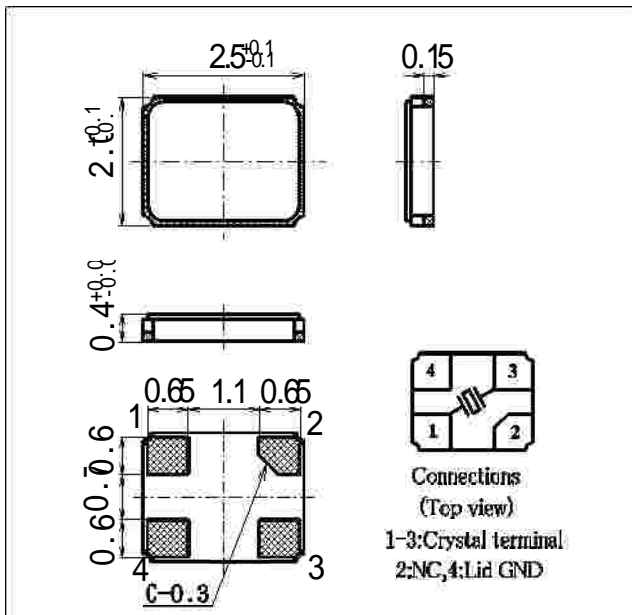
Frequency (MHz)	
16.000	16.368/16.369
18.000	19.200
24.000	26.000
27.000	32.000
36.000	37.400
38.400	40.000
44.000	48.000

Note: Modified specifications are available upon request for specific applications.

Table 2 Frequency vs. Temperature Characteristics

Temperature Range	Stability(ppm)	Frequency Tolerance(ppm@25 °C)
-10 to +60 °C	±5 max.	±10 max. , ± 50 max. (25 °C ± 3°C)
-20 to +70 °C	±10 max.	
-30 to +85 °C	± 15 max	

Outline Dimensions



Reference Land Patterns

