

TR-1-6 with metal clamp

Lead Type Crystal Units

■Feature

Designed for small space assembly. Formed leads SMD version. 3rd overtone available for high frequency. Hermetic sealing by resistance welding. Ideal for mobile telecommunication equipment or crystal for precision oscillator. Superior shock and vibration performance due to small size.

Now printing

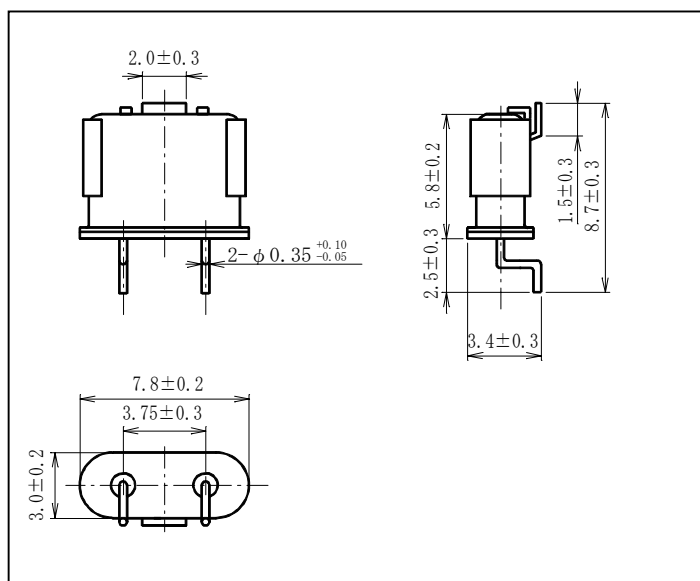
■Standard Specifications

Frequency Range (MHz)	Equivalent Series Resistance (Ω)	Overtone Order
12.8~33	40max.	Fundamental
44~100	60max.	3rd Overtone
75~165	80max.	5th Overtone

Frequency Tolerance ($\times 10^{-6}$)	Temperature Characteristics (25 °C, $\times 10^{-6}$)
±15 (25 °C ± 3°C)	±10 (-10 ~ 60 °C)
±10 (25 °C ± 3°C)	±7.5 (-20 ~ 70 °C)

* Products with specific requirements are available request.

■Outline Dimensions



■Reference Land Pattern

