

# TAS-2016C

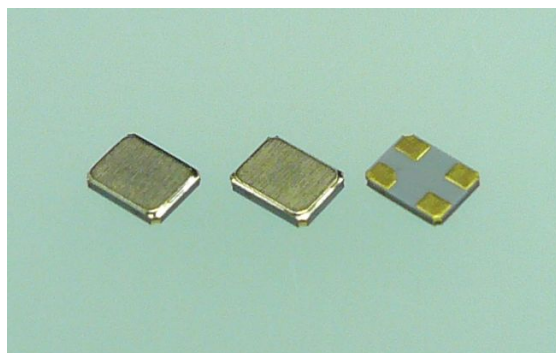
## Low-Profile Surface Mount Type Crystal Units

### ■Feature

Ultra small size area with the lowest height (2.0×1.6, 0.40t max.). Hermetic sealing by Au-Sn method. Suitable for NFC, Bluetooth, WLAN and Mobile Digital TV Tuner where small size is of the utmost importance. Product is lead free in construction. Can be mounted to PCB using a lead free solder reflow process.

### ■Standard Specifications

Size (mm)	2.0×1.6, 0.40t max.
Overtone Order	Fundamental
Frequency Range (MHz)	26 ~ 60 (See Table 1)
Equivalent Series Resistance (Ω)	60 ~ 100 max.
Drive Level (μW)	30
Operating Temperature Range	See Table 2
Frequency Temperature Characteristics (in reference to 25 °C)	See Table 2



### ■Table 1 Typical Frequencies

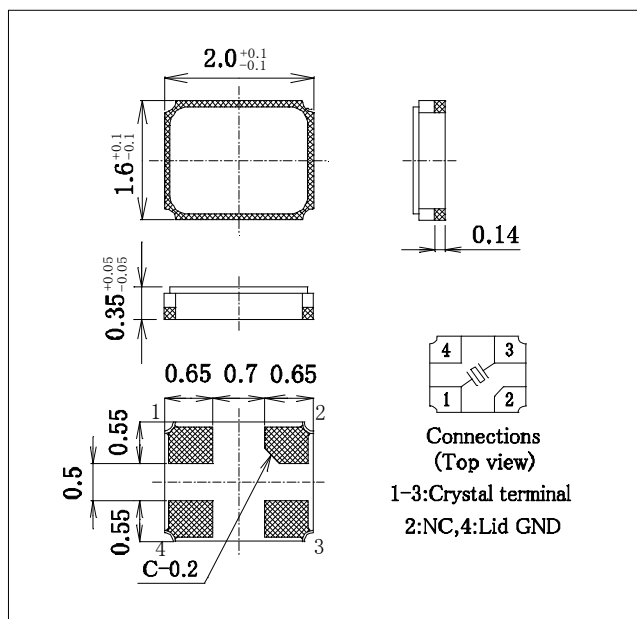
Frequency (MHz)	
26.000	27.000
30.000	32.000
36.000	38.400
40.000	44.000

### ■Table 2 Frequency Temperature Characteristics

Temperature Range	Temperature Characteristics ( $\times 10^{-6}$ )	Frequency Tolerance ( $\times 10^{-6}$ )
- 0 ~ +50 °C	±5	±10 ~ ±50 (25 °C ± 3°C)
-10 ~ +60 °C	±10	
-20 ~ +75 °C	±15	

※ Products with specific requirements are available request.

### ■Outline Dimensions



### ■Reference Land Pattern

