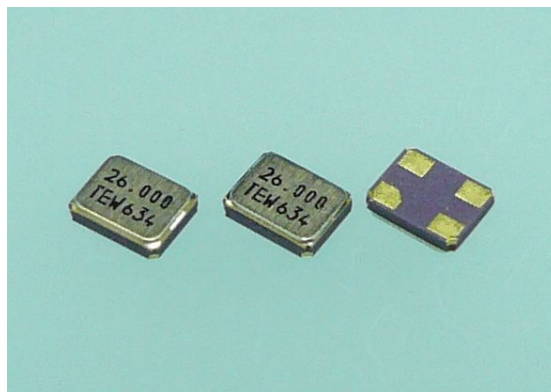


TAS-2016B

Ultra Miniature Surface Mount Type Crystal Units

■Feature

Ultra small size area with the lowest height (2.0×1.6, 0.45±0.05). Hermetic sealing by Au-Sn method. Part is preconditioned to temperatures well beyond lead free reflow for unsurpassed reliability. Suitable for NFC, Bluetooth, WLAN and Zigbee where small size is of the utmost importance. Product is lead free in construction. Can be mounted to PCB using a lead free solder reflow process.



■Standard Specifications

Size (mm)	2.0×1.6, 0.45t±0.05
Overtone Order	Fundamental
Frequency Range (MHz)	18 ~ 60 (See Table 1)
Equivalent Series Resistance (Ω)	60 ~ 300 max.
Drive Level (μW)	30
Operating Temperature Range	See Table 2
Frequency Temperature Characteristics (in reference to 25 °C)	See Table 2

■Table 1 Typical Frequencies

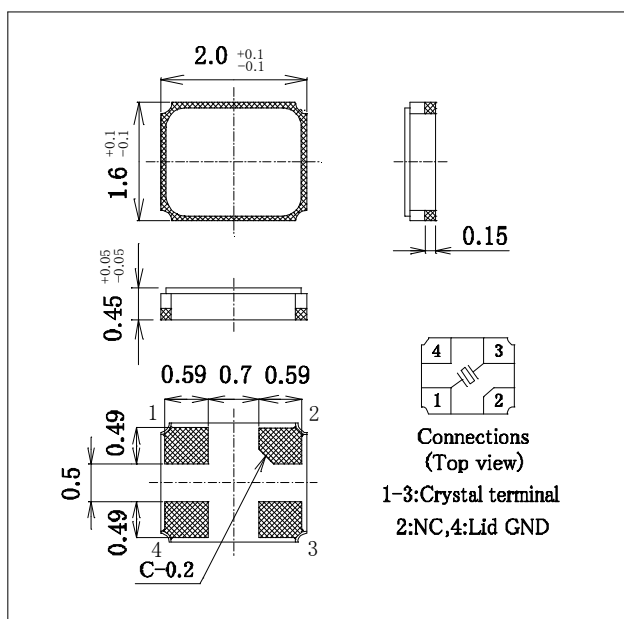
Frequency (MHz)	
24.000	26.000
27.000	32.000
36.000	38.400
40.000	44.000
48.000	

■Table 2 Frequency Temperature Characteristics

Temperature Range	Temperature Characteristics(×10 ⁻⁶)	Frequency Tolerance(×10 ⁻⁶)
- 0 ~ +50 °C	±5	±10 ~ ±50 (25 °C ± 3°C)
-10 ~ +60 °C	±10	
-20 ~ +75 °C	±15	

※ Products with specific requirements are available request.

■Outline Dimensions



■Reference Land Pattern

